

REV	DESCRIPTION OF REVISION	BCN No.	BY	DATE	APPROVED
Rv01	N/A	N/A	J. Wang	2013/05/19	Karl Pam

## TECHNICAL DATA

### Electrical data

Impedance 50Ω  
 Frequency range 0~11GHz  
 VSWR  
 Straight ≤1.22  
 Right Angle ≤1.3  
 Contact resistance  
 -center contact ≤1.5mΩ  
 -outer contact ≤1mΩ  
 Insulation resistance ≥5000MΩ

### Mechanical data

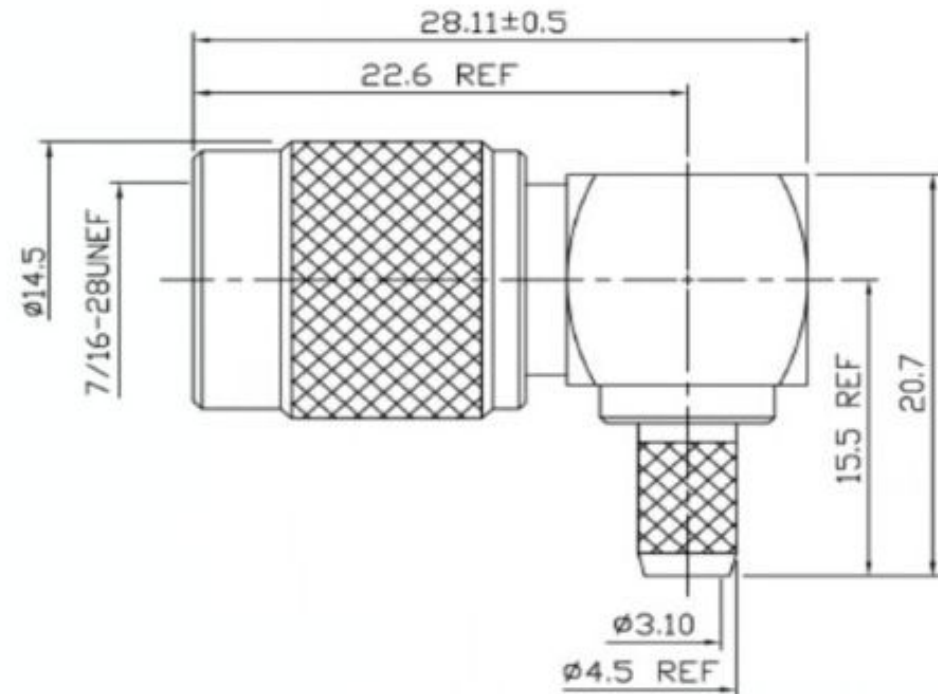
Temperature range -65°C~+165°C  
 Durability(matings) >500

### Material data

Piece Part	Base Material	Plating
Body	Brass	Nickel Plated
Center conductor	Brass	Gold or silver plated
Crimping suite	Copper alloy	Nickel plated
O-ring sealing	6146 silastic	
Insulator	PTFE	

### Interface Standards

IEC 60169-17 /MIL-C-39012/CECC22200



### NOTES:

1. ALL SPECIFICATIONS ARE SUBJECT TO CHANGE WITHOUT NOTICE AT ANY TIME
2. CUSTOMER OUTLINE DRAWING FOR REFERENCE ONLY

Part Name:

TNC male right angle crimp  
for LMR195/RG58 connector

**VOTON**<sup>®</sup>

[www.RF-connectors.com](http://www.RF-connectors.com)



DIMENSIONS IN MILLIMETERS (mm)

SIZE:  
A4

SCALE:  
4:1

SHEET:  
1/1

REV:  
A