

REV	DESCRIPTION OF REVISION	ECN No.	BY	DATE	APPROVED
Rv01	N/A	N/A	J. Wang	2013/05/19	Karl Pam

## TECHNICAL DATA

### Electrical data

Impedance 50Ω  
 Frequency range 0~12.4GHz  
 VSWR  
 Straight ≤1.1  
 Right Angle ≤1.2  
 Contact resistance  
 -center contact ≤3mΩ  
 -outer contact ≤2mΩ  
 Insulation resistance ≥5000MΩ

### Mechanical data

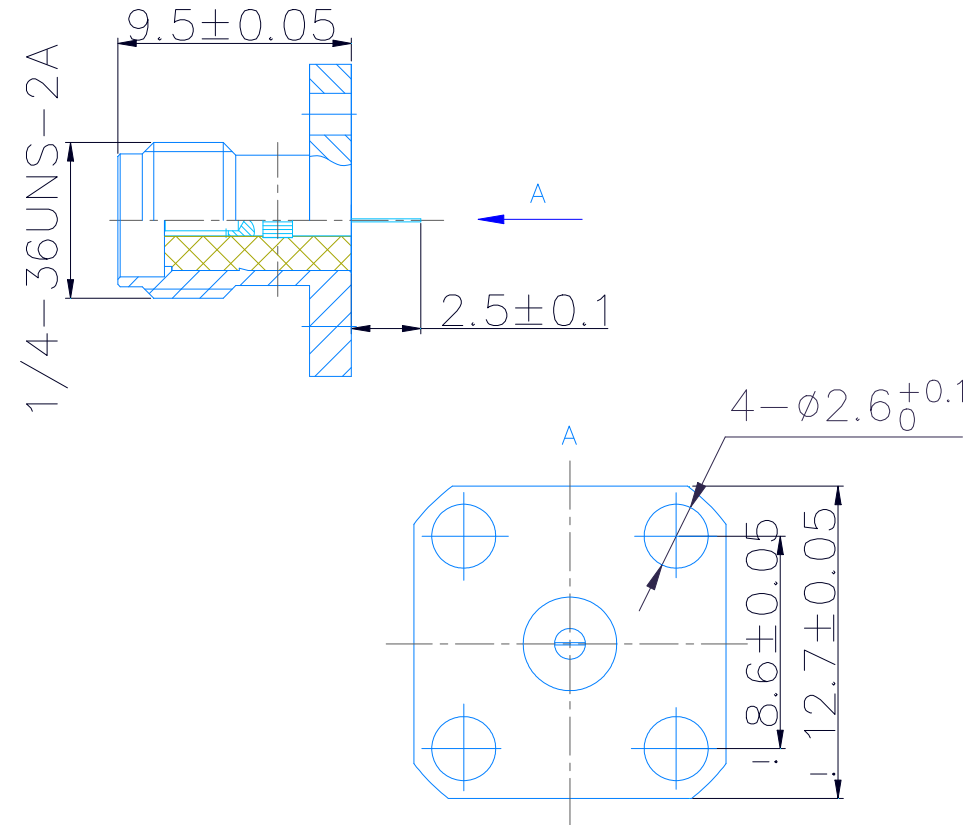
Temperature range -65°C~+165°C  
 Durability(matings) >500

### Material data

Piece Part	Base Material	Plating
Body	Brass	Gold Plated
Center conductor	Brass	Gold plated
Crimping suite	Copper alloy	Nickel plated
O-ring sealing	6146 silastic	
Insulator	PTFE	

### Interface Standards

IEC 60169-15 /MIL-C-39012/CECC22110



### NOTES:

- ALL SPECIFICATIONS ARE SUBJECT TO CHANGE WITHOUT NOTICE AT ANY TIME
- CUSTOMER OUTLINE DRAWING FOR REFERENCE ONLY

Part Name:  
 SMA female 4 hole flange  
 solder divider

**VOTON**®  
 Machinery [www.RF-connectors.com](http://www.RF-connectors.com)

  DIMENSIONS IN MILLIMETERS (mm)

SIZE:  
 A4

SCALE:  
 4:1

SHEET:  
 1/1

REV:  
 A