

REV	DESCRIPTION OF REVISION	ECN No.	BY	DATE	APPROVED
Rv01	N/A	N/A	J. Wang	2013/05/19	Karl Pam

TECHNICAL DATA

Electrical data

Impedance 50Ω
 Frequency range 0~12.4GHz
 VSWR
 Straight ≤1.1
 Righth Angle ≤1.2
 Contact resistance
 -center contact ≤3mΩ
 -outer contact ≤2mΩ
 Insulation resistance ≥5000MΩ

Mechanical data

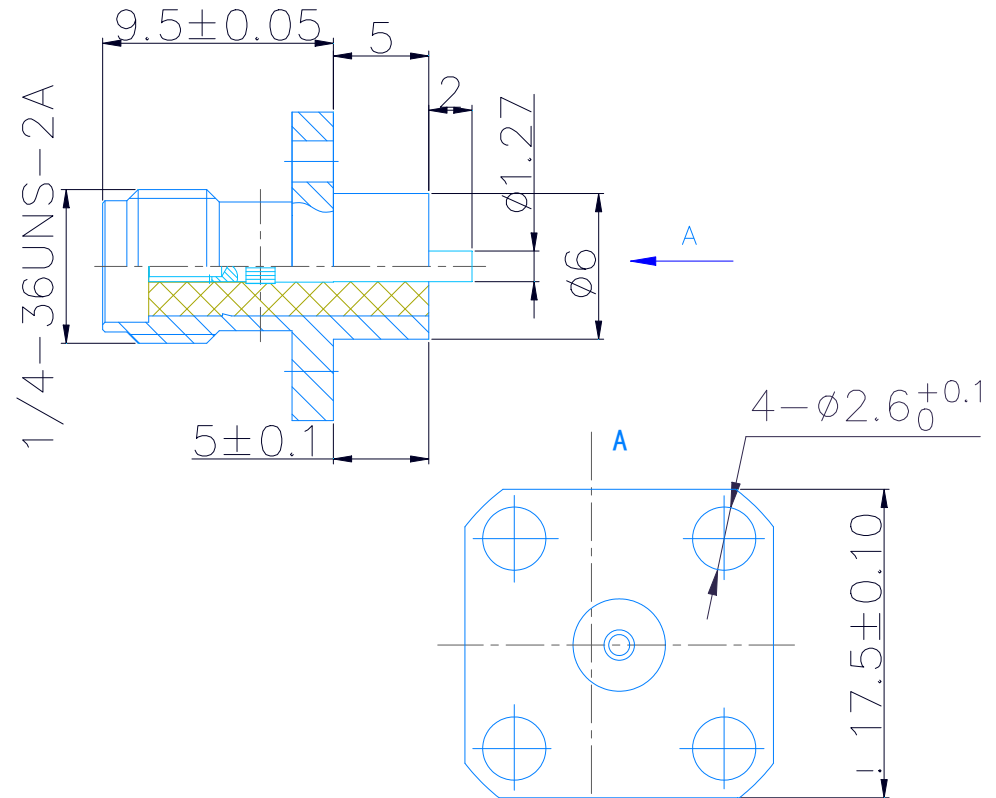
Temperature range -65°C~+165°C
 Durability(matings) >500

Material data

Piece Part	Base Material	Plating
Body	Brass	Gold Plated
Center conductor	Brass	Gold plated
Crimping suite	Copper alloy	Nickel plated
O-ring sealing	6146 silastic	
Insulator	PTFE	

Interface Standards

IEC 60169-15 /MIL-C-39012/CECC22110



NOTES:

- ALL SPECIFICATIONS ARE SUBJECT TO CHANGE WITHOUT NOTICE AT ANY TIME
- CUSTOMER OUTLINE DRAWING FOR REFERENCE ONLY

Part Name:

SMA female 4 hole flange
solder divider

VOTON®
Machinery www.RF-connectors.com

  DIMENSIONS IN MILLIMETERS (mm)

SIZE:
A4

SCALE:
4:1

SHEET:
1/1

REV:
A