

REV	DESCRIPTION OF REVISION	ECN No.	BY	DATE	APPROVED
Rv01	N/A	N/A	J. Wang	2013/05/19	Karl Pam

## TECHNICAL DATA

### Electrical data

Impedance 50Ω  
 Frequency range 0~12.4GHz  
 VSWR  
 Straight ≤ 1.1  
 Right Angle ≤ 1.2  
 Contact resistance  
 -center contact ≤ 3mΩ  
 -outer contact ≤ 2mΩ  
 Insulation resistance ≥ 5000MΩ

### Mechanical data

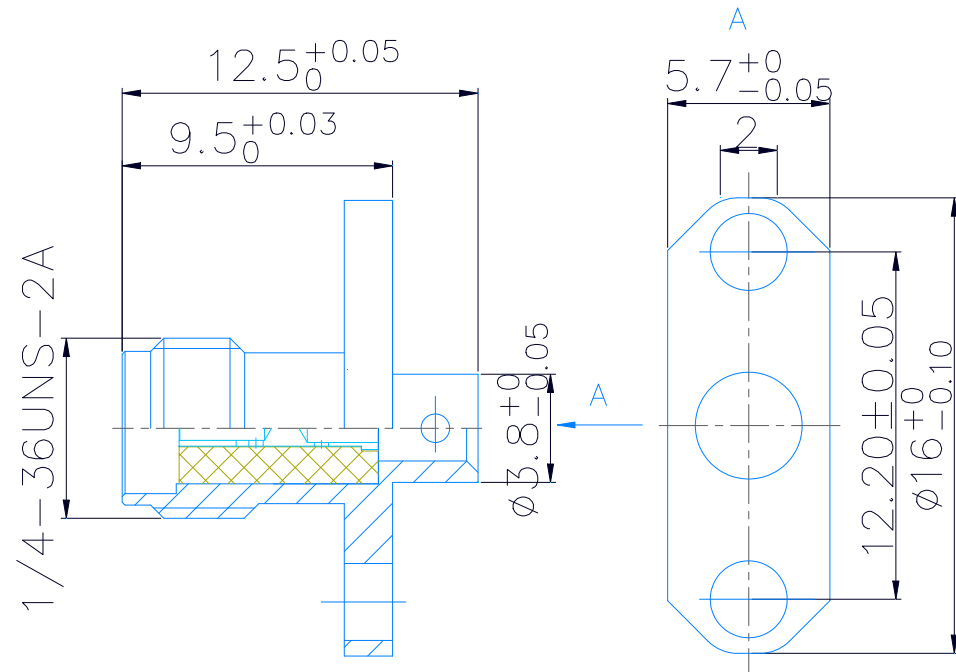
Temperature range -65°C~+165°C  
 Durability(matings) >500

### Material data

Piece Part	Base Material	Plating
Body	Brass	Gold Plated
Center conductor	Brass	Gold plated
Crimping suite	Copper alloy	Nickel plated
O-ring sealing	6146 silastic	
Insulator	PTFE	

### Interface Standards

IEC 60169-15 / MIL-C-39012/CECC22110



### NOTES:

- ALL SPECIFICATIONS ARE SUBJECT TO CHANGE WITHOUT NOTICE AT ANY TIME
- CUSTOMER OUTLINE DRAWING FOR REFERENCE ONLY

Part Name: SMA female 2 hole flange for 086/RG405 cable	<b>VOTON®</b> Machinery <a href="http://www.RF-connectors.com">www.RF-connectors.com</a>			
	DIMENSIONS IN MILLIMETERS (mm)			
SIZE: A4	SCALE: 4:1	SHEET: 1/1	REV: A	