

| REV  | DESCRIPTION OF REVISION | ECN No. | BY      | DATE       | APPROVED |
|------|-------------------------|---------|---------|------------|----------|
| Rv01 | N/A                     | N/A     | J. Wang | 2013/05/19 | Karl Pam |

## TECHNICAL DATA

### Electrical data

Impedance 50Ω  
 Frequency range 0~12.4GHz  
 VSWR  
 Straight ≤1.1  
 Right Angle ≤1.2  
 Contact resistance  
 -center contact ≤3mΩ  
 -outer contact ≤2mΩ  
 Insulation resistance ≥5000MΩ

### Mechanical data

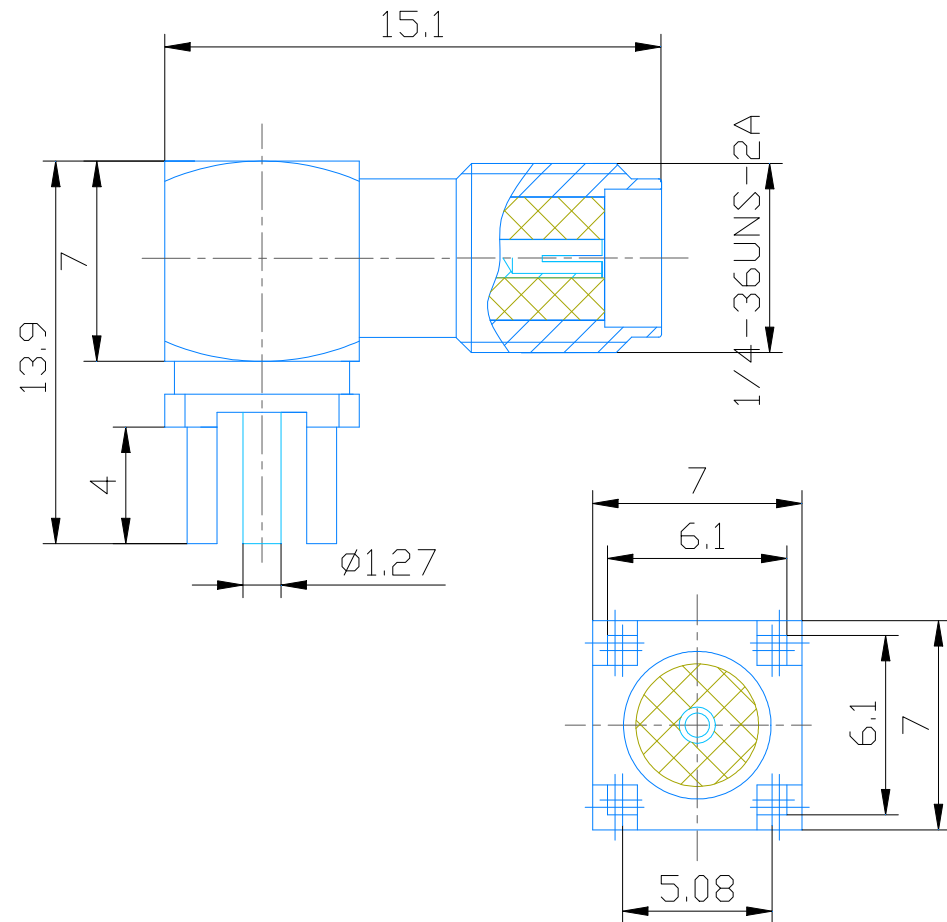
Temperature range -65°C~+165°C  
 Durability(matings) >500

### Material data

| Piece Part       | Base Material | Plating       |
|------------------|---------------|---------------|
| Body             | Brass         | Gold Plated   |
| Center conductor | Brass         | Gold plated   |
| Crimping suite   | Copper alloy  | Nickel plated |
| O-ring sealing   | 6146 silastic |               |
| Insulator        | PTFE          |               |

### Interface Standards

IEC 60169-15 /MIL-C-39012/CECC22 110



### NOTES:

- ALL SPECIFICATIONS ARE SUBJECT TO CHANGE WITHOUT NOTICE AT ANY TIME
- CUSTOMER OUTLINE DRAWING FOR REFERENCE ONLY

Part Name:  
 SMA female right angle  
 for PCB

**VOTON**®  
 Machinery [www.RF-connectors.com](http://www.RF-connectors.com)

DIMENSIONS IN MILLIMETERS (mm)

SIZE:  
 A4

SCALE:  
 4:1

SHEET:  
 1/1

REV:  
 A