

| REV | DESCRIPTION OF REVISION | ECN No. | BY | DATE | APPROVED |
|------|-------------------------|---------|---------|------------|----------|
| Rv01 | N/A | N/A | J. Wang | 2013/05/19 | Karl Pam |

TECHNICAL DATA

Electrical data

Impedance 50Ω
 Frequency range 0~12.4GHz
 VSWR
 Straight ≤1.1
 Right Angle ≤1.2
 Contact resistance
 -center contact ≤3mΩ
 -outer contact ≤2mΩ
 Insulation resistance ≥5000MΩ

Mechanical data

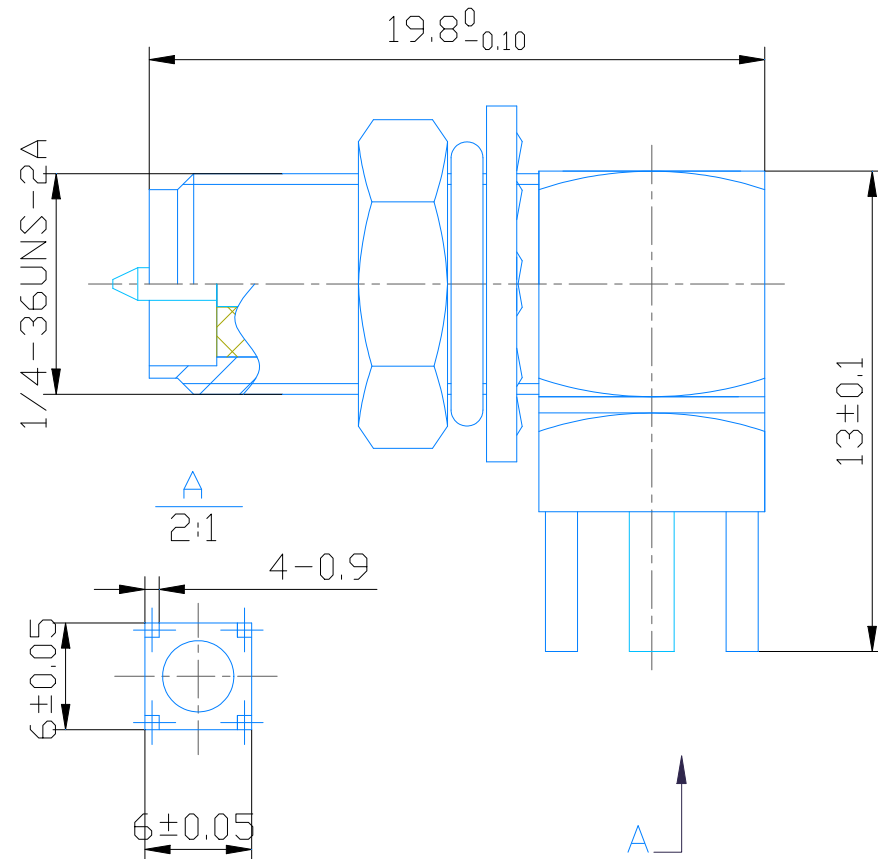
Temperature range -65°C~+165°C
 Durability(matings) >500

Material data

| Piece Part | Base Material | Plating |
|------------------|---------------|---------------|
| Body | Brass | Gold Plated |
| Center conductor | Brass | Gold plated |
| Crimping suite | Copper alloy | Nickel plated |
| O-ring sealing | 6146 silastic | |
| Insulator | PTFE | |

Interface Standards

IEC 60169-15 /MIL-C-39012/CECC22 110



NOTES:

- ALL SPECIFICATIONS ARE SUBJECT TO CHANGE WITHOUT NOTICE AT ANY TIME
- CUSTOMER OUTLINE DRAWING FOR REFERENCE ONLY

Part Name:
 RP SMA female right angle
 for PCB

VOTON®
 Machinery www.RF-connectors.com

DIMENSIONS IN MILLIMETERS (mm)

SIZE: A4 SCALE: 4:1 SHEET: 1/1 REV: A