

| REV | DESCRIPTION OF REVISION | ECN No. | BY | DATE | APPROVED |
|------|-------------------------|---------|---------|------------|----------|
| Rv01 | N/A | N/A | J. Wang | 2013/05/19 | Karl Pam |

TECHNICAL DATA

Electrical data

Impedance 50Ω
 Frequency range 0~11GHz
 VSWR
 Straight ≤1.15
 Right Angle ≤1.25
 Contact resistance
 -center contact ≤1mΩ
 -outer contact ≤1mΩ
 Insulation resistance ≥5000MΩ

Mechanical data

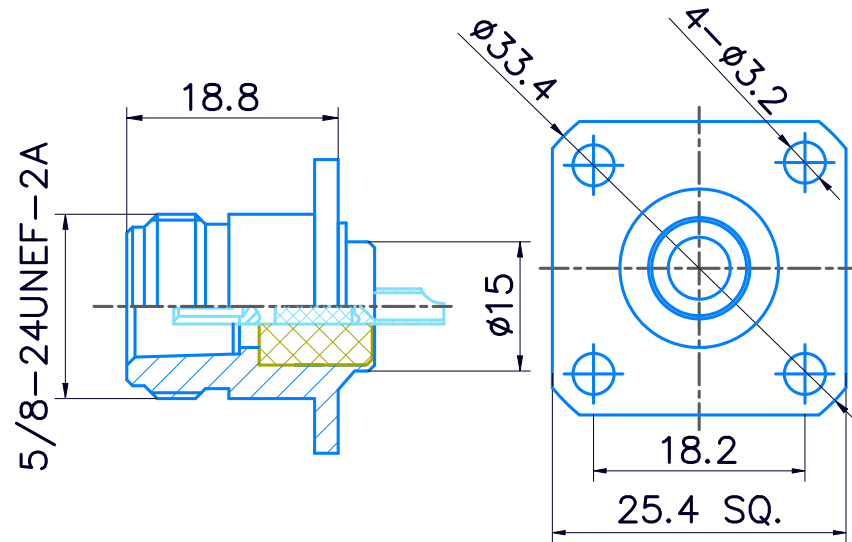
Temperature range -65°C~+165°C
 Durability(matings) >500

Material data

| Piece Part | Base Material | Plating |
|------------------|---------------|-----------------------|
| Body | Brass | Nickel Plated |
| Center conductor | Brass | Gold or silver plated |
| Crimping suite | Copper alloy | Nickel plated |
| O-ring sealing | 6146 silastic | |
| Insulator | PTFE | |

Interface Standards

IEC 60169-16 /MIL-C-39012/CECC22 210



NOTES:

- ALL SPECIFICATIONS ARE SUBJECT TO CHANGE WITHOUT NOTICE AT ANY TIME
- CUSTOMER OUTLINE DRAWING FOR REFERENCE ONLY

| | | | | |
|-------------------------------|---|------------|--------|--|
| Part Name: N female flange | VOTON® Machinery www.RF-connectors.com | | | |
| | DIMENSIONS IN MILLIMETERS (mm) | | | |
| SIZE: A4 | SCALE: 4:1 | SHEET: 1/1 | REV: A | |